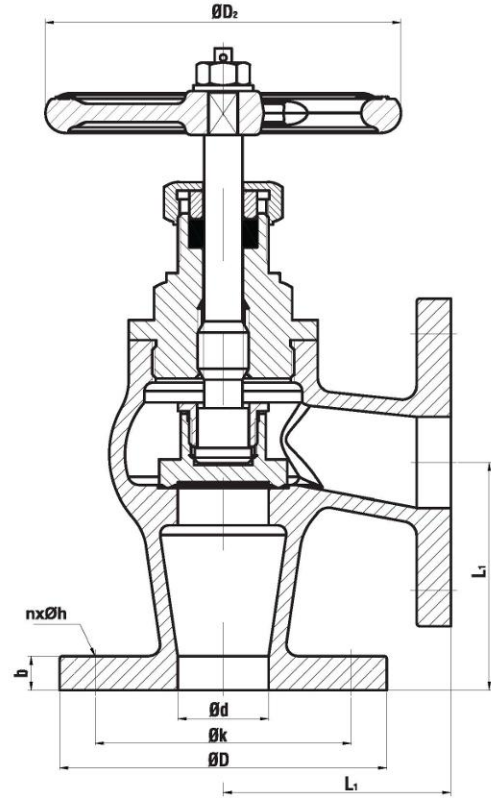


JIS Tip Glob Vana (Bronz , Gönye Tip) / JIS Type Globe Valve(Bronze , Angle Type)



NO	PARÇA ADI	PART NAME	MATERIAL
1	GÖVDE	BODY	RG5
2	KLAPE	DISC	RG5
3	MİL	STEM	CuZn39Pb3
4	EMNİYET PULU	DISC LOCK WASHER	CuZn39Pb3
5	KLAPE SOMUNU	DISC NUT	CuZn39Pb3
6	KAPAK	BONNET	RG5
7	SALMASTRA	PACKING	GRAFİTE

NO	PARÇA ADI	PART NAME	MATERIAL
8	RİNG	RING	CuZn39Pb3
9	SALMASTRA SOMUNU	PACKING NUT	CuZn39Pb3
10	KİLİTLEME PULU	LOCK PLATE	CuZn39Pb3
11	VİDA	SCREW	CuZn39Pb3
12	HENDİL	HANDWHEEL	GG25
13	SOMUN & PUL	NUT & WASHER	CuZn39Pb3
14	KOPILYA	SPLIT PIN	CuZn39Pb3

ÖLÇÜ	Ød	FLANŞ JIS 5K							FLANŞ JIS 16K						ØD2
		ØD	Øk	b	nxØh	L1	KG	ØD	Øk	b	nxØh	L1	KG		
15A	15	80	60	9	4x12	55	1,9	95	70	12	4x15	70	2,7	80	
20A	20	85	65	10	4x12	60	2,7	100	75	14	4x15	75	3,6	100	
25A	25	95	75	10	4x12	65	3,5	125	90	14	4x19	85	5,2	125	
32A	32	115	90	12	4x15	80	4,7	135	100	16	4x19	95	6,5	125	
40A	40	120	95	12	4x15	85	5,5	140	105	16	4x19	100	7,6	140	
50A	50	130	105	14	4x15	100	9	155	120	16	8x19	120	11,3	160	

UYGULAMA ALANLARI / APPLICATIONS

DENİZ SUYU, TATLI SU, YAĞ, BUHAR DEVRELERİNDE /

SEA WATER, FRESH WATER, OIL, STEAM, SYSTEMS

BAĞLANTILAR / ENDS: JIS F7301 5K / JIS F7303 16K

VANA BOYUTLARI / VALVE DIMENSIONS: JIS F7400

ÇALIŞMA SICAKLIĞI / WORKING TEMP. : -10°C / 120°C

ÇALIŞMA BASINCI / WORKING PRESSURE: BODY 10.5 / SEAT 7.7 Kg / cm²

SOYVALVE ÜRÜN KATALOĞU

ООО «ТИ-СИСТЕМС» ИНЖИНИРИНГ И ПОСТАВКА ТЕХНОЛОГИЧЕСКОГО ОБОРУДОВАНИЯ

Интернет: www.tisys.ru www.tisys.kz www.tisys.by www.tesec.ru www.ti-sistemc.rf

Телефоны: +7 (495) 7774788, 7489626, (925) 5007155, 54, 65

Эл. почта: info@tisys.ru info@tisys.kz info@tisys.by